



AMPLIVAR

TE Internal #: 280002-1

Splices, 18.5 – 13.5 AWG Wire Size, .8 – 2.5 mm² Wire Size, Splice Capacity 3, Serrated, .065 in [1.66 mm] Barrel Inside Diameter, AMPLIVAR

[View on TE.com >](#)

Terminals & Splices > Splices



Wire Size: .8 – 2.5 mm²

Sealable: **No**

Splice Capacity: **3**

Splice Features: **Serrated**

Features

Product Type Features

Sealable	No
Splice Type	Pigtail Splice
Serrated	Yes
Compatible With Discrete Wire Type	Magnet Wire, Solid

Configuration Features

Strip Orientation	End Feed
Splice Capacity	3
Number of Serrations	7

Electrical Characteristics

Operating Voltage	250 V
-------------------	-------

Body Features

Weight per Piece	.206 g
Plating Material	Unplated
Splice Features	Serrated



Primary Product Material	Brass
--------------------------	-------

Contact Features

Contact Plating Material	Unplated
--------------------------	----------

Barrel Type	Open
-------------	------

Mechanical Attachment

Wire Insulation Support	Without
-------------------------	---------

Dimensions

Wire Size	1500 – 5000 CMA
-----------	-----------------

Barrel Inside Diameter	1.66 mm [.065 in]
------------------------	-------------------

Terminal Material Thickness	.5 mm [.02 in]
-----------------------------	----------------

Overall Product Length	5.72 mm [.225 in]
------------------------	-------------------

Usage Conditions

Insulation Option	Uninsulated
-------------------	-------------

Operating Temperature Range	-65 – 150 °C [-85 – 302 °F]
-----------------------------	-----------------------------

Operation/Application

Heavy Duty	No
------------	----

Compatible With Wire Base Material	Copper
------------------------------------	--------

Industry Standards

Government Qualified Splice	No
-----------------------------	----

Packaging Features

Packaging Quantity	30000
--------------------	-------

Packaging Method	Strip
------------------	-------

Product Compliance

[For compliance documentation, visit the product page on TE.com>](#)

EU RoHS Directive 2011/65/EU	Compliant
------------------------------	-----------

EU ELV Directive 2000/53/EC	Compliant
-----------------------------	-----------

China RoHS 2 Directive MIIT Order No 32, 2016	No Restricted Materials Above Threshold
---	---

EU REACH Regulation (EC) No. 1907/2006	Current ECHA Candidate List: JUNE 2022 (224) Candidate List Declared Against: JUNE 2022 (224) Does not contain REACH SVHC
--	---

Halogen Content

Low Halogen - Br, Cl, F, I < 900 ppm per homogenous material. Also BFR/CFR/PVC Free

Solder Process Capability

Not applicable for solder process capability

Product Compliance Disclaimer

This information is provided based on reasonable inquiry of our suppliers and represents our current actual knowledge based on the information they provided. This information is subject to change. The part numbers that TE has identified as EU RoHS compliant have a maximum concentration of 0.1% by weight in homogenous materials for lead, hexavalent chromium, mercury, PBB, PBDE, DBP, BBP, DEHP, DIBP, and 0.01% for cadmium, or qualify for an exemption to these limits as defined in the Annexes of Directive 2011/65/EU (RoHS2). Finished electrical and electronic equipment products will be CE marked as required by Directive 2011/65/EU. Components may not be CE marked. Additionally, the part numbers that TE has identified as EU ELV compliant have a maximum concentration of 0.1% by weight in homogenous materials for lead, hexavalent chromium, and mercury, and 0.01% for cadmium, or qualify for an exemption to these limits as defined in the Annexes of Directive 2000/53/EC (ELV). Regarding the REACH Regulation, the information TE provides on SVHC in articles for this part number is based on the latest European Chemicals Agency (ECHA) 'Guidance on requirements for substances in articles' posted at this URL: <https://echa.europa.eu/guidance-documents/guidance-on-reach>

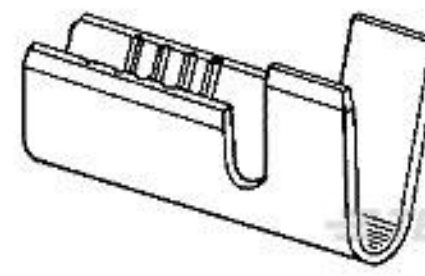
Compatible Parts



TE Part # 280538-1
AMPLIVAR Splice, unplated version



TE Part # 1-141175-1
AMPLIVAR SPL 5 SERR



TE Part # 141075-1
AMPLIVAR SPLICE



TE Part # 141175-1
AMPLIVAR SPCL SPLICE



TE Part # 160631-1
SUB MINIATURE AMPLIVAR SPLICE



TE Part # 2-2150009-2
OCEAN_2.0_Applicator-E-110F



TE Part # 2150009-2
OCEAN_2.0_Applicator-E-110F



TE Part # 7-2150009-2
OCEAN_2.0_Applicator-E-110F



KIT
REPRESENTATION ONLY

TE Part # 7-2150009-7
OCEAN_2.0_SPARE_PART_KIT-110F

Also in the Series | **AMPLIVAR**



Crimp Wire Pins, Tabs & Ferrules(5)



Magnet Wire Terminals(5)



PCB Terminals(1)



Quick Disconnects(42)



Ring Terminals & Spade Terminals(28)



Splices(78)

Documents

Product Drawings

AMPLIVAR SPLICE

English

CAD Files

3D PDF

3D

Customer View Model

[ENG_CVM_CVM_280002-1_U.2d_dxf.zip](#)

English

Customer View Model

[ENG_CVM_CVM_280002-1_U.3d_igs.zip](#)

English

Customer View Model

[ENG_CVM_CVM_280002-1_U.3d_stp.zip](#)

English

By downloading the CAD file I accept and agree to the [Terms and Conditions](#) of use.

Datasheets & Catalog Pages

[1654742_HOUSEHOLD_APPLIANCES_RAST5](#)

English

Magnet Wire Terminals & Splices

English

Product Specifications

Application Specification

English



[AMPLIVAR 7 Serration Pigtail Splice](#)

English

[Product Environmental Compliance](#)

[TE Material Declaration](#)

English